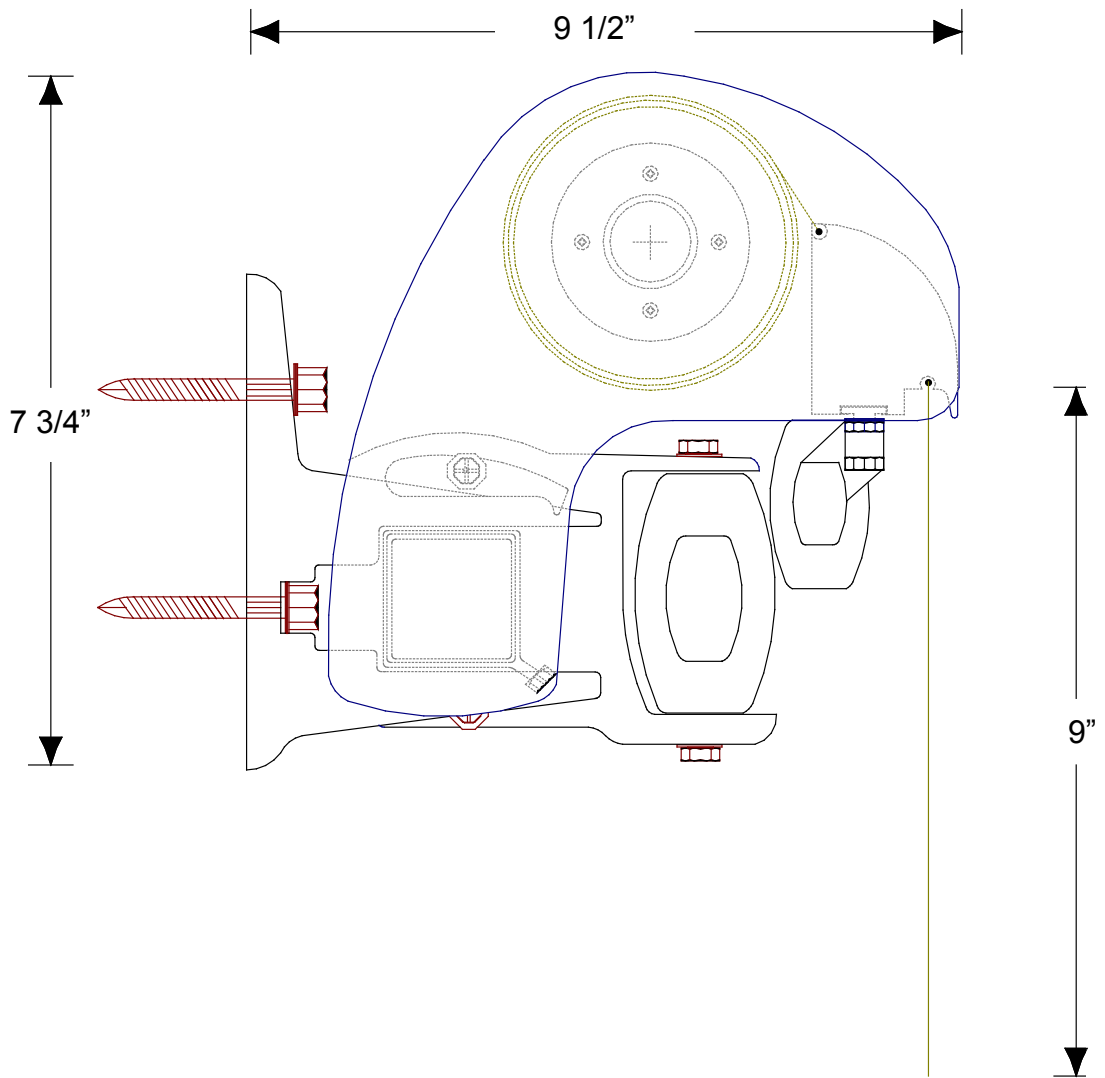


Elite Cassette Profile



Santa Ana

1600 E. St. Gertrude Pl., Santa Ana, CA 92705
Ph: 800-332-2866, Fax: 714-708-1399, License # 700678
info@accentawnings.com

San Diego

8132 Miramar Rd., San Diego, CA 92126
Ph: 858-621-6300, Fax: 858-621-6333, License # 700678
info@accentawnings.com