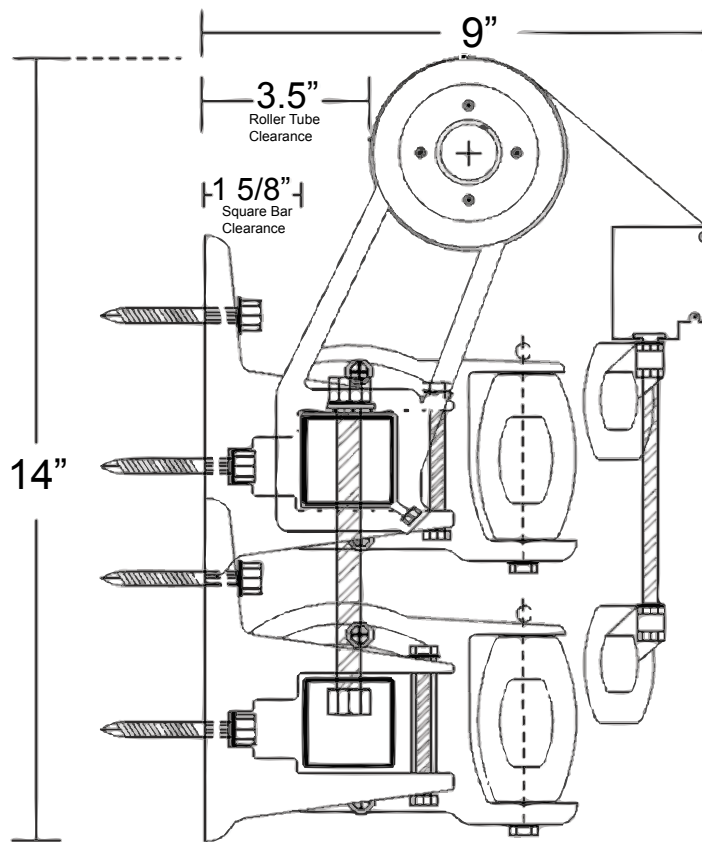
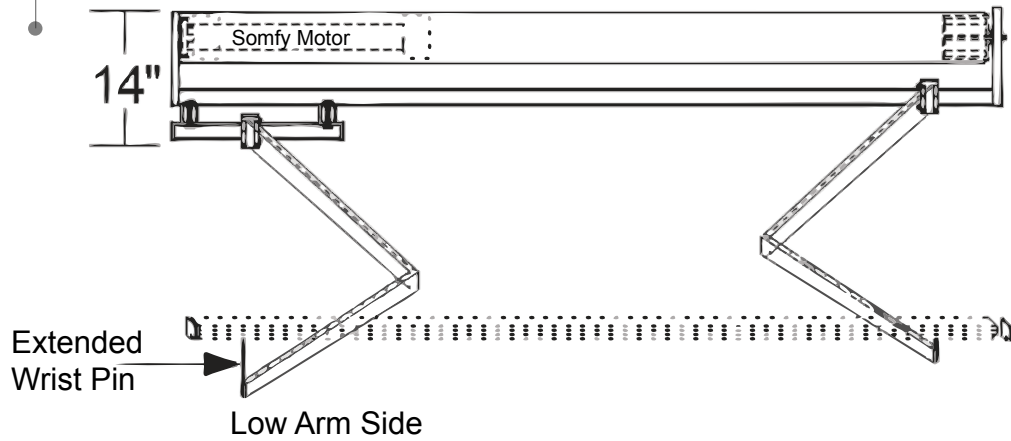


## Elite DSX Detail Cross-Over Arms



### Santa Ana

1600 E. St. Gertrude Pl., Santa Ana, CA 92705  
Ph: 800-332-2866, Fax: 714-708-1399, License # 700678  
info@accentawnings.com

### San Diego

8132 Miramar Rd., San Diego, CA 92126  
Ph: 858-621-6300, Fax: 858-621-6333, License # 700678  
info@accentawnings.com