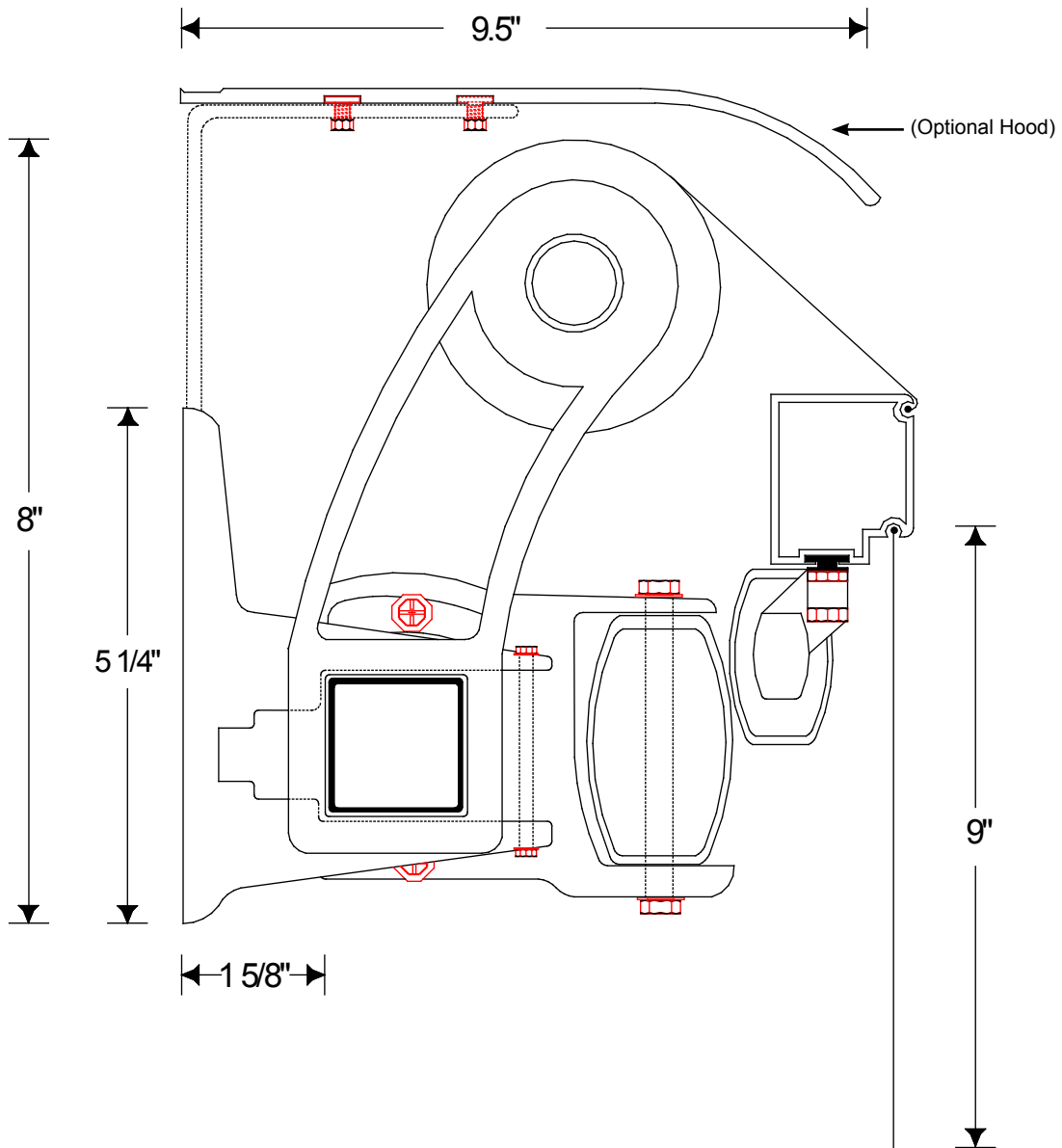


UniLux Profile
Optional Hood Version



Santa Ana
1600 E. St. Gertrude Pl.
Santa Ana, CA 92705
800-332-2866
714-708-1399, Fax
License # 700678

San Diego
8120 Miramar Rd.
San Diego, CA 92126
858-621-6300
858-621-6333, Fax
License # 700678