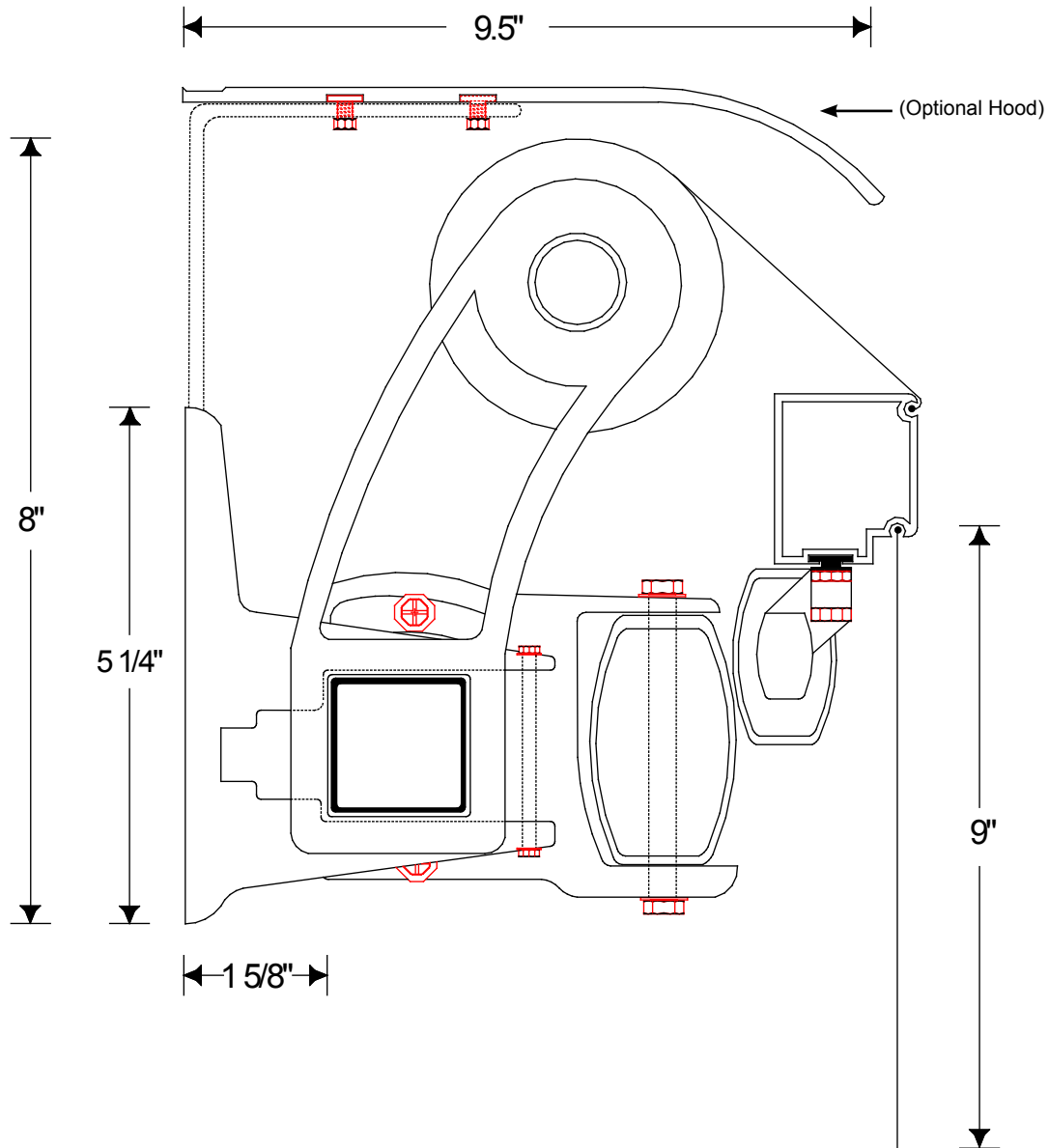


## *Econo-Lux Profile* Optional Hood Version



### **Santa Ana**

1600 E. St. Gertrude Pl.  
Santa Ana, CA 92705  
800-332-2866  
714-708-1399, Fax  
License # 700678

### **San Diego**

8120 Miramar Rd.  
San Diego, CA 92126  
858-621-6300  
858-621-6333, Fax  
License # 700678