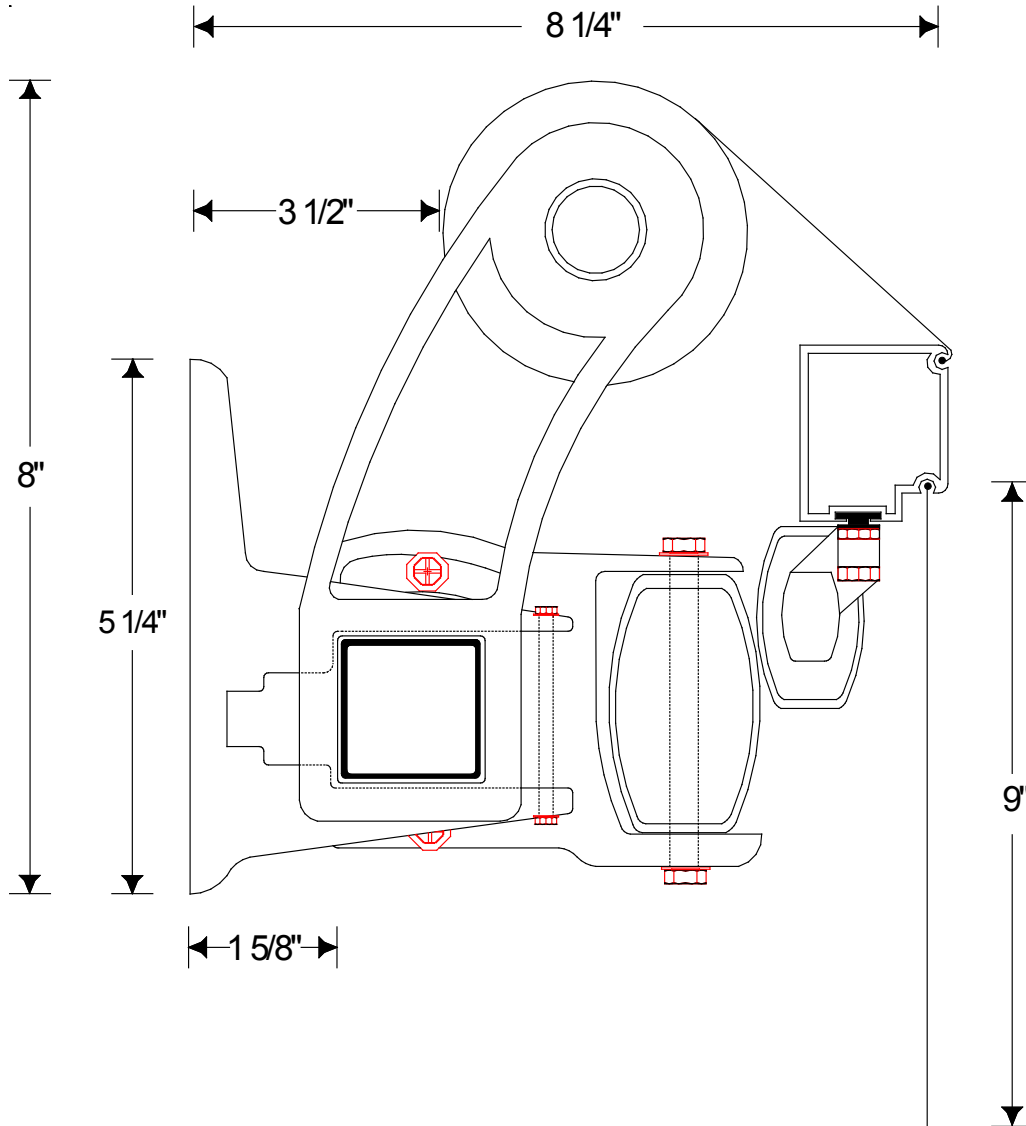


UniLux Profile



Santa Ana

1600 E. St. Gertrude Pl.
Santa Ana, CA 92705
800-332-2866
714-708-1399, Fax
License # 700678

San Diego

8120 Miramar Rd.
San Diego, CA 92126
858-621-6300
858-621-6333, Fax
License # 700678

B
1
u
e
P
r
i
n
t